

BUS Receiver IntelliStrip+4ch PWM

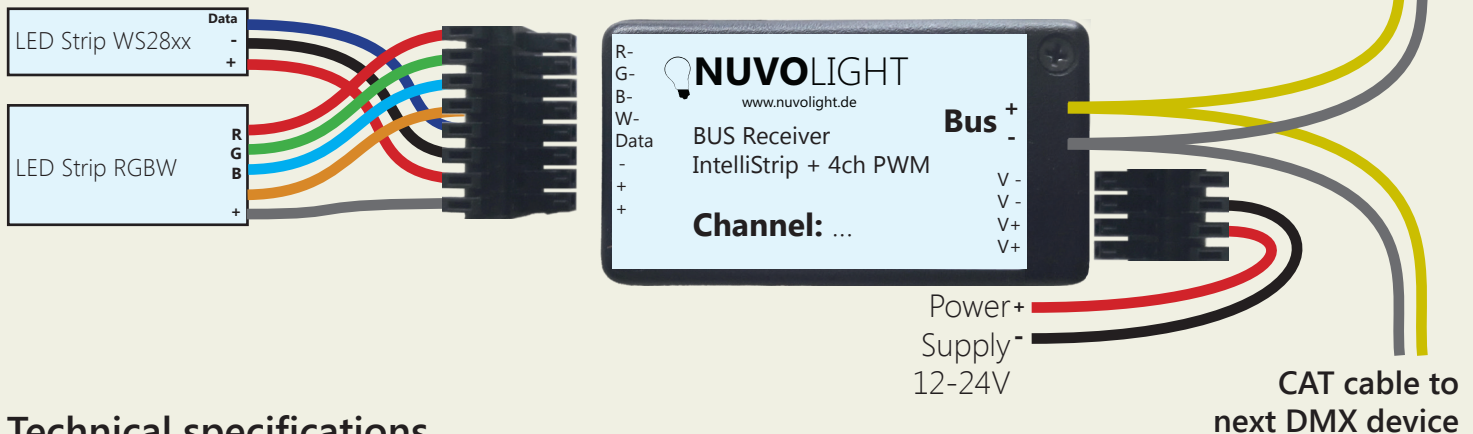
Art.-Nr.: 112002

The Nuvolight BUS Receiver IntelliStrip + 4ch PWM is a small and powerful LED controller for continuously dimming LED strips with PWM-modulated voltage and for controlling LEDs with SPI protocol (e.g. WS2812). The control of the BUS receiver takes place via DMX control signal or via WIFI.

Installation

As soon as the SMARTreceiver is supplied with power, the green status LED inside the controller begins to pulse. Fast and regular flashing signals a correctly applied DMX signal. After a few minutes, the controller stops flashing so as not to generate any stray light when placed in the field of view (time interval can be configured).

CAT cable from previous DMX device or from Nuvolight control unit (SMARTgateway)



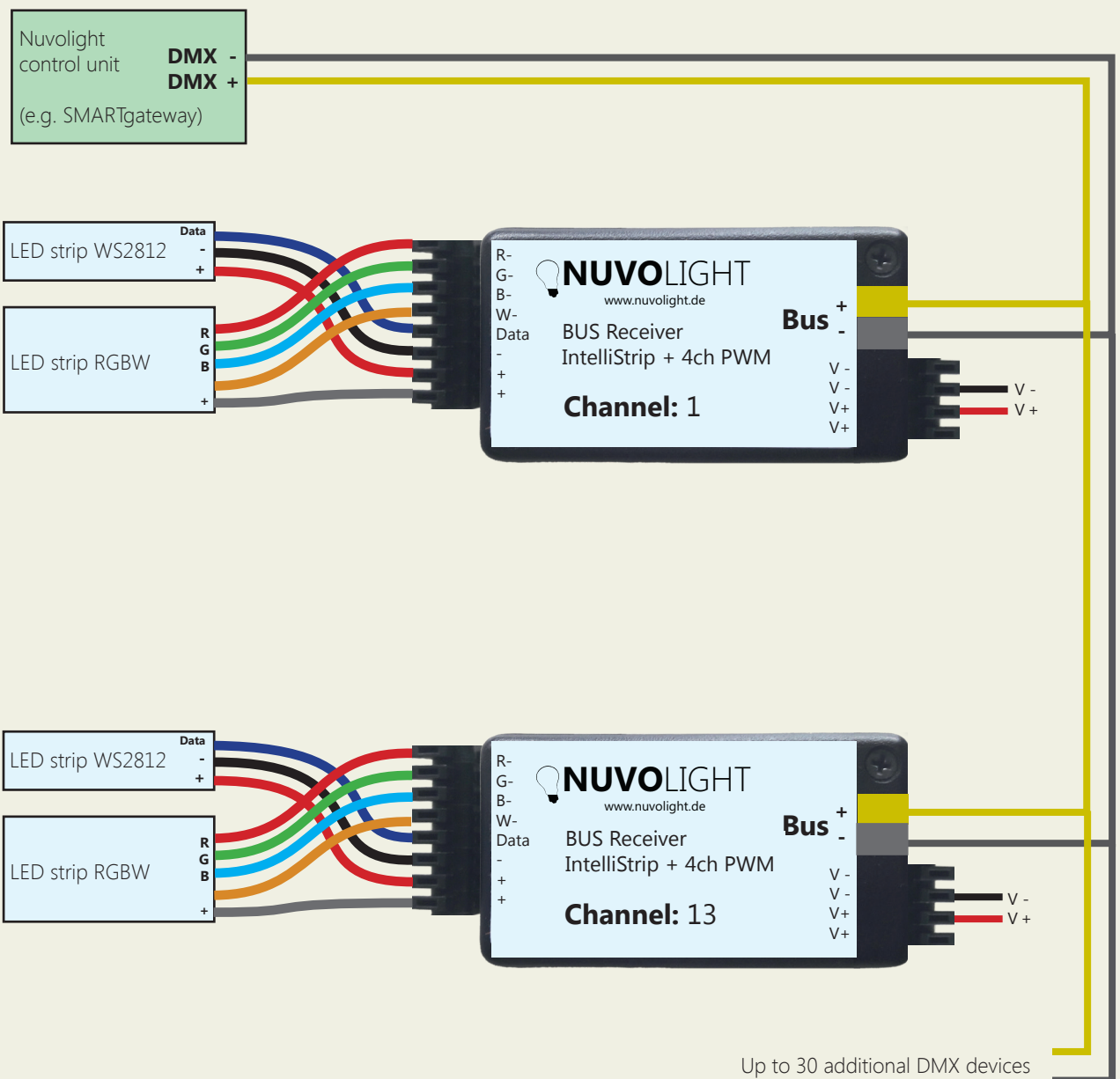
Technical specifications

Dimensions in mm (H x W x L)	21 x 42 x 103 (incl. plugs, plus cables)
Power supply	12V to 24V DC
Maximum current	10A@12-24V per clamp/ max. 20A total
Number of PWM outputs	4
Number of Data outputs	1
Color	Black
Protection	IP20
Cable type BUS	CAT7, one pair of cable cores
Cable type power supply	max. 1,5mm ² flex
Cable type LED connection	max. 1,5mm ² flex
Pixel LED protocol	WS2812



Connection example

Up to 32 BUS Receivers or other DMX-capable controllers can be connected to a Nuvolight control unit with DMX output. Each BUS Receiver can be controlled individually by appropriate addressing.



DMX addressing

The BUS receiver reacts to 12 consecutive addresses in the DMX protocol. The first channel is set as the start address. The data received on the start channel and the 11 following address numbers determine the switch states of the outputs.

The address assignment is as follows:

Intelli Strip

Start address	Red
Start address + 1	Green
Start address + 2	Blue
Start address + 3	White (separately dimmable)
Start address + 4	Dimmer red & green & blue
Start address + 5	Red pixel LED
Start address + 6	Green pixel LED
Start address + 7	Blue pixel LED
Start address + 8	Effect selection
Start address + 9	Effect parameter 1
Start address + 10	Effect parameter 2
Start address + 11	Inverse effect

The start address is preset at the factory (see labeling), but can also be changed manually via WIFI using the browser interface. Valid DMX addresses range from 1 to 512.

Change DMX start address

1. Supply the BUS Receiver with power. The BUS Receiver now provides a WIFI network for ten minutes, through which settings can be made.
2. Connect your computer, tablet or mobile phone to the network of the BUS Receiver via WIFI.

Network name: **SMARTxxx_XX:XX:XX:XX:XX:XX**

Password: **nuvolight123**

3. Now type the following address into your browser:

<http://192.168.4.1>



4. Now set the start address via the browser interface. To do this, click on the **CONFIG** tab. and select the sub-item **DMX**. Type the desired start address in the associated text field and then click **Apply Changes**.

The BUS receiver now restarts with the set start address. The WLAN connection is interrupted.



1. Choose „CONFIG“ tab

2. Choose „DMX“ tab

3. Enter desired start address

4. Click on „Apply Changes“

The network connection is now interrupted because the device restarts.

Further configuration options

Menu	Selection option	Function
WIRELESS MODE	Accesspoint	The device offers its own WIFI to connect to it via the browser interface.
	Accesspoint + Station	The device also tries to connect to another existing network so that it can be controlled wirelessly.
WIRELESS ACCESSPOINT	SSID, Password, Channel	Network name and password of the WIFI network the device offers. CAUTION: Incorrect settings can block access to the configuration of the device! It's best not to change anything here.
	Timeout [min]	The time after the device is switched on after which the configuration WLAN is switched off.
WIRELESS CLIENT	SSID, Password	Network name and password of the WLAN to which the BUS receiver is to connect.
	Hostname	The name under which the device logs on to the network
	DHCP	On: The BUS receiver expects that it will be assigned an IP in the network (standard) Off: The BUS Receiver uses the self-assigned IP address, gateway, subnet mask and DNS IP addresses below
DEVICE	Status LED Timeout	The time after which the green status LED inside the device is switched off. A value of 0 means that the status LED never goes out (standard)
	No-DMX Boot Value	If this option is set, the outputs go back to the boot settings if there is no DMX signal.
DMX	DMX Start Address	The DMX start address
UPDATE	Current Firmware	The current firmware version
	Upload	Firmware update. The new firmware can be uploaded as a file from the computer to the BUS receiver.

Bearbeiter: TH	Kontrolle: FP	Version: 2.0	Stand: 18.03.2020
----------------	---------------	--------------	-------------------