

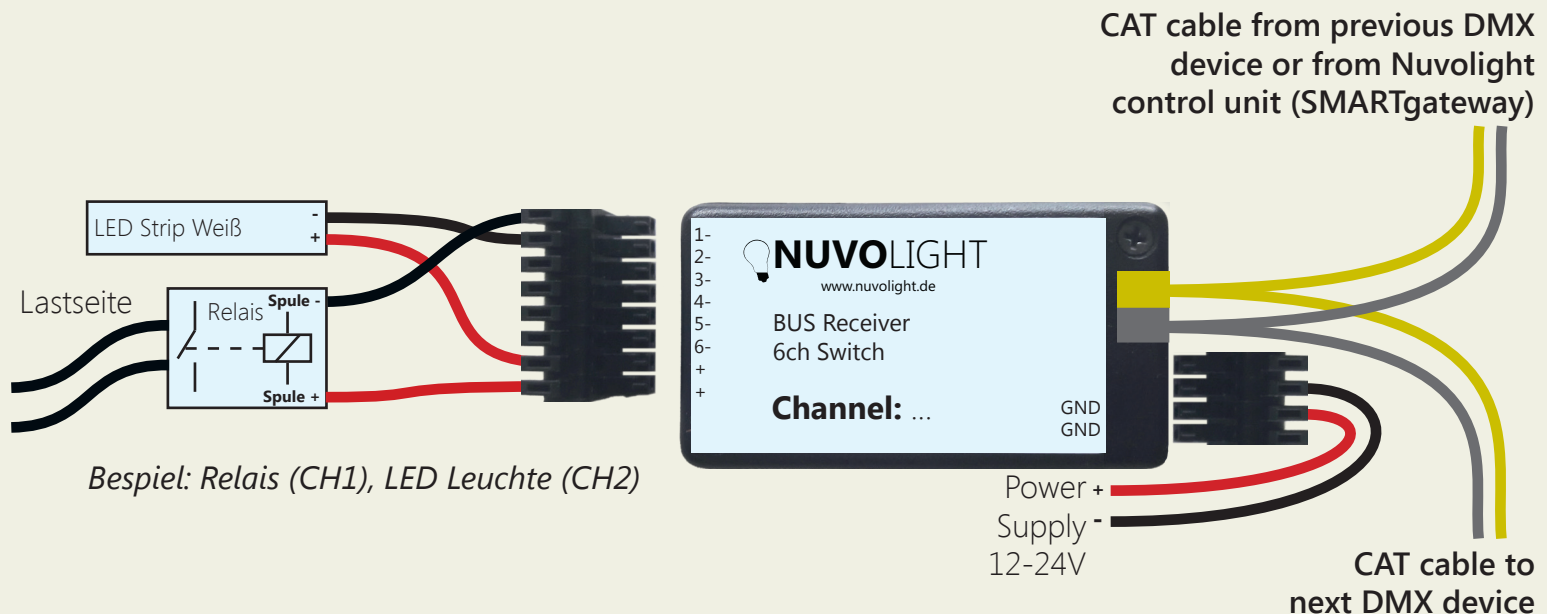
BUS Receiver 6ch Switch

Art.-Nr.: 112006

The Nuvolight BUS Receiver 6ch Switch is a small and powerful controller for switching LED lights or relays with constant control voltage via DMX signal* or via WLAN.

Installation

As soon as the BUS receiver is supplied with power, the green status LED inside the controller begins to pulse. Fast and regular flashing signals a correctly applied DMX signal. After a few minutes, the controller stops flashing so as not to generate any stray light when placed in the field of view (time interval can be configured).



Technical specifications

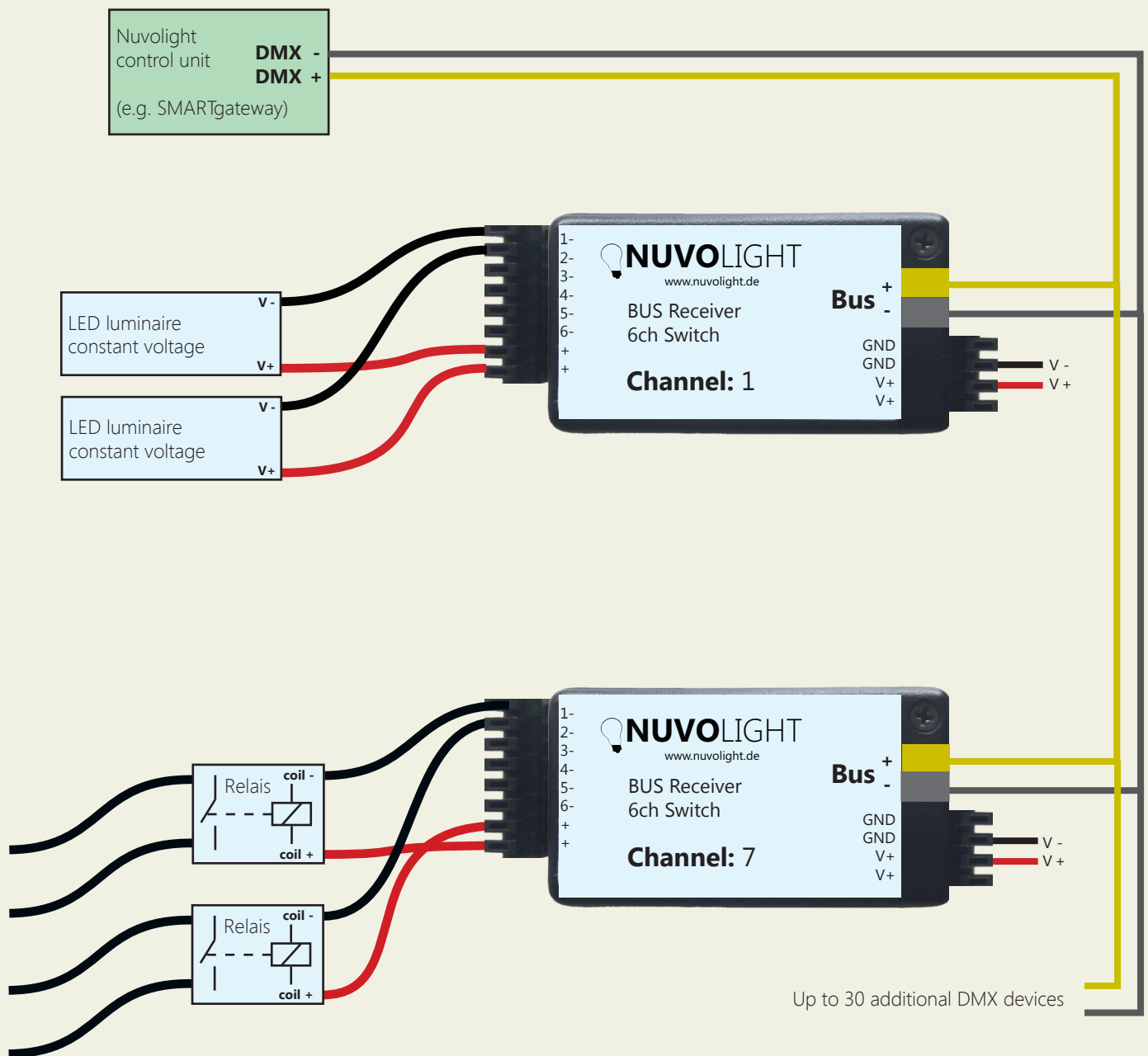
| | |
|------------------------------|--|
| Dimensions in mm (H x W x L) | 21 x 42 x 103 (incl. plugs, plus cables) |
| Power supply | 12V to 24V DC |
| Maximum current | 10A@12-24V per clamp/ max. 20A total |
| Number of outputs | 6 |
| Color | Black |
| Protection | IP20 |
| Cable type BUS | CAT7, one pair of cable cores |
| Cable type power supply | max. 1,5mm ² flex |
| Cable type LED connection | max. 1,5mm ² flex |



* For luminaires that have to be dimmed with constant current or constant voltage (PWM), please use our controller BUS Receiver 6ch / RGB+W+CCT2 PWM (constant voltage) or BUS Receiver 4ch / 1ch constant current.

Connection example

Up to 32 BUS receivers or other DMX-capable controllers can be connected to a Nuvolight control unit with DMX output. Each BUS receiver can be controlled individually by appropriate addressing. The outputs of each BUS receiver can also be controlled individually.



Up to 30 additional DMX devices

DMX addressing

The BUS receiver reacts to six consecutive addresses in the DMX protocol. The first channel is set as the start address. The data received on the start channel and the five following address numbers determine the switch states of the outputs.

The address assignment is as follows:

6CH Switch

| | | |
|-------------------|----|------------------|
| Start address | 1- | Switch channel 1 |
| Start address + 1 | 2- | Switch channel 2 |
| Start address + 2 | 3- | Switch channel 3 |
| Start address + 3 | 4- | Switch channel 4 |
| Start address + 4 | 5- | Switch channel 5 |
| Start address + 5 | 6- | Switch channel 6 |

The start address is preset at the factory (see labeling), but can also be changed manually via WIFI using the browser interface. Valid DMX addresses range from 1 to 512.

Change DMX start address

1. Supply the BUS Receiver with power. The BUS Receiver now provides a WIFI network for ten minutes, through which settings can be made.

2. Connect your computer, tablet or mobile phone to the network of the BUS Receiver via WIFI.

Network name: **SMARTxxx_XX:XX:XX:XX:XX**

Password: **nuvolight123**

3. Now type the following address into your browser:

<http://192.168.4.1>



4. Now set the start address via the browser interface. To do this, click on the **CONFIG** tab. and select the sub-item **DMX**. Type the desired start address in the associated text field and then click **Apply Changes**.

The BUS receiver now restarts with the set start address. The WLAN connection is interrupted.



1. Choose „CONFIG“ tab

2. Choose „DMX“ tab

3. Enter desired start address

4. Click on „Apply Changes“

The network connection is now interrupted because the device restarts.

Further configuration options

| Menu | Selection option | Function |
|----------------------|-------------------------|--|
| WIRELESS MODE | Accesspoint | The device offers its own WIFI to connect to it via the browser interface. |
| | Accesspoint + Station | The device also tries to connect to another existing network so that it can be controlled wirelessly. |
| WIRELESS ACCESSPOINT | SSID, Password, Channel | Network name and password of the WIFI network the device offers. CAUTION: Incorrect settings can block access to the configuration of the device! It's best not to change anything here. |
| | Timeout [min] | The time after the device is switched on after which the configuration WLAN is switched off. |
| WIRELESS CLIENT | SSID, Password | Network name and password of the WLAN to which the BUS receiver is to connect. |
| | Hostname | The name under which the device logs on to the network |
| | DHCP | On: The BUS receiver expects that it will be assigned an IP in the network (standard) Off: The BUS Receiver uses the self-assigned IP address, gateway, subnet mask and DNS IP addresses below |
| DEVICE | Status LED Timeout | The time after which the green status LED inside the device is switched off. A value of 0 means that the status LED never goes out (standard) |
| | No-DMX Boot Value | If this option is set, the outputs go back to the boot settings if there is no DMX signal. |
| DMX | DMX Start Address | The DMX start address |
| UPDATE | Current Firmware | The current firmware version |
| | Upload | Firmware update. The new firmware can be uploaded as a file from the computer to the BUS receiver. |