

Nuvolight SMARTgateway

DALI / DMX / Input

The Nuvolight SMARTgateway has multiple inputs and outputs for connection to the Nuvolight control system. It is integrated into the existing network via a LAN network interface. The SMARTgateway also provides its own Wi-Fi.

The device has two DMX outputs which operate as an integrated splitter, as well as eight digital push-button inputs and two analog inputs for reading e.g. sensor control voltages. In addition, a DALI bus can be operated, which is also supplied with power via the SMARTgateway. Connection examples are on page 3.



Nuvolight SMARTgateway

Technical specifications

| | |
|--------------------------------------|--|
| Width (WxHxD) | 87 x 107 x 77 mm (width: 5 units) |
| Supply voltage | 19V to 24VDC |
| Power consumption | 130 mA + 250 mA (Dali) + 120 mA (DMX) |
| Mounting | DIN rail |
| Operating temperature | -25 ... +60° C |
| Humidity | 0% ... 85% non-condensing |
| Network | 100 Mbit/s Ethernet Port, WLAN |
| Weight | 210 g |
| Colour | weiß |
| Outputs (short-circuit proof) | 1 x DALI +- (max. 250 mA), 2 x DMX +- (max. 120 mA) |
| Inputs | 8 x digital Input for push buttons, 2 x analog input für sensor input |
| Protection | IP20 |
| Connection | Screw terminals 1,5 mm ² , DMX: 0,6 to 0,8 mm ² rigid cable core |

Installation

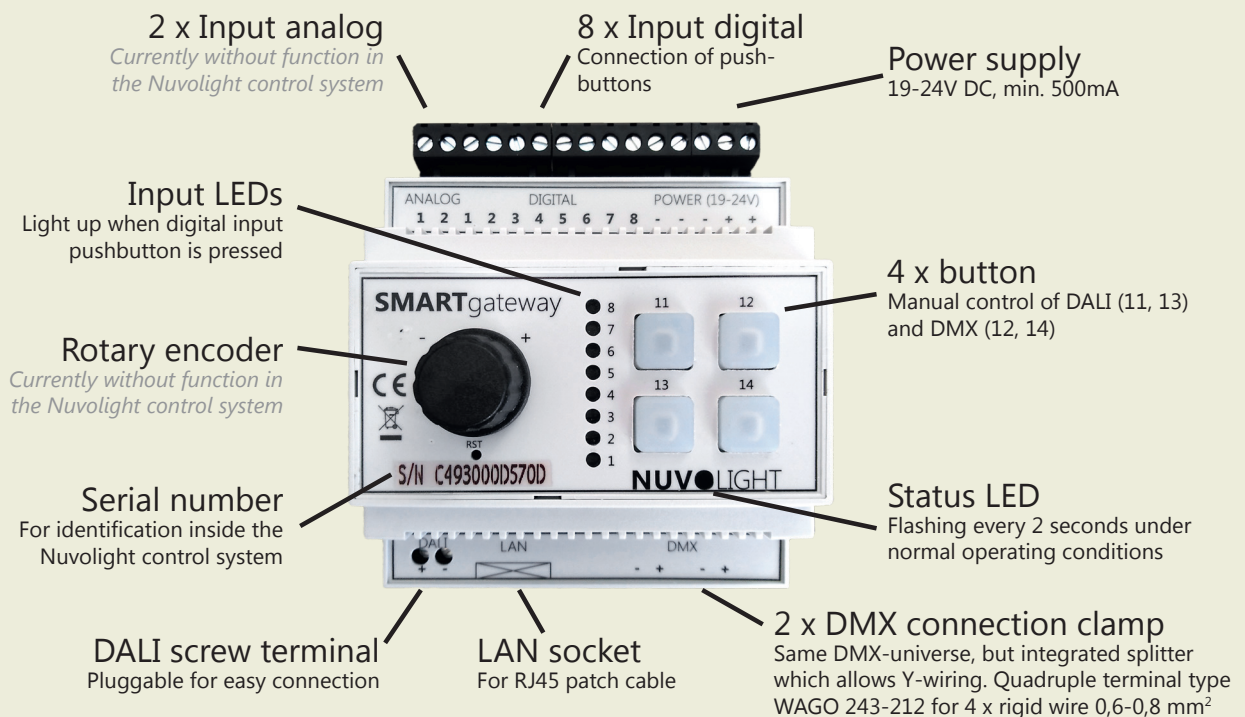
- Mount the SMARTgateway on DIN rail
- Connect the DALI bus. Note, that the SMARTgateway also acts as a bus power supply
- Connect the DMX bus
- Connect push buttons on digital input terminals
- Plug in the network cable and connect it to the Nuvolight network
- Connect the power supply
- Activate the power supply

Notes on wiring

DALI bus: Two cores 0,8mm² for up to 100m, 1,5mm² for up to 300m
 Polarity protected bus

DMX bus: Two cores of a CAT5 cable or similar with shield wire.
 Cross section 0,6mm² to 0,8mm² to fit the SMARTgateway clamp
 Termination with 120 Ohm resistor between DMX+ and DMX- at the last DMX luminaire
 Cable from luminaire to luminaire (Daisy-Chain)

Connections and user interface



States and functions of LEDs and buttons

| | | |
|---------------------------------|--|--|
| status LED | blinks white (every 2 seconds) | status OK |
| buttons & input LEDs | constantly white | Device boots after power on, about 30 seconds |
| buttons | permanently green (upper buttons) and blue (lower buttons) | Functions: Top left: All DALI luminaires 100% Down left: All DALI luminaires 0% Top right: All DMX channels 100% Down right: All DMX channels 0% |
| buttons | permanently yellow | Top and bottom left: Sending DALI Top and bottom right: Sending DMX |
| input LED 1-8 | light up white | Digital input 1-8 is pressed, contact shorted to minus pole (-) |

Network

There must be a DHCP server in the network for the SMARTgateway to obtain an IP address.

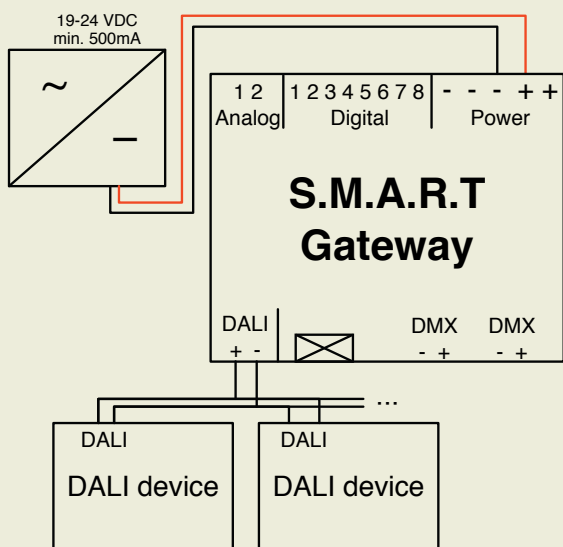
The SMARTgateway also offers its own Wi-Fi, through which the network at the LAN port can be accessed. Thus, the SMARTgateway is not only a control actuator but also serves as an access point at the same time.

Network name: ***SMARTgateway***

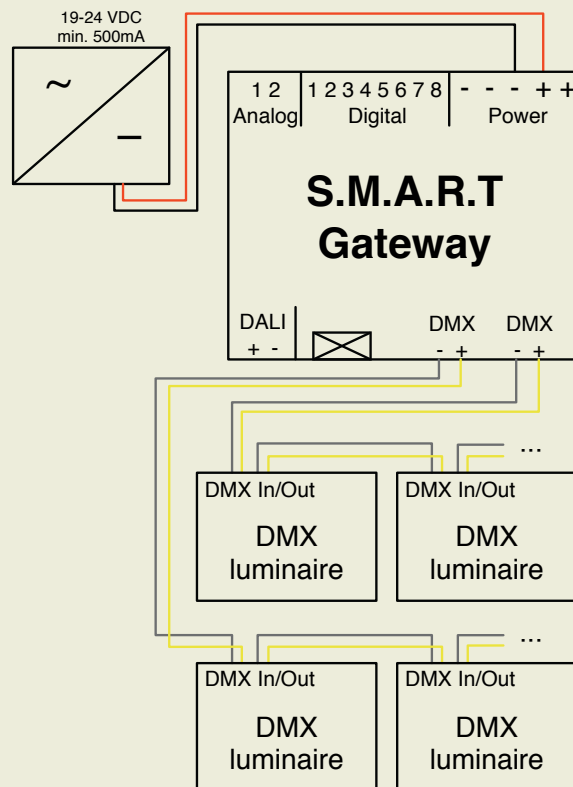
Password: ***SMARTsystem***

If there is a Nuvolight control system in the network, the WLAN of the SMARTgateway can be used for lighting control via iPad or iPhone app NuvoTouch.

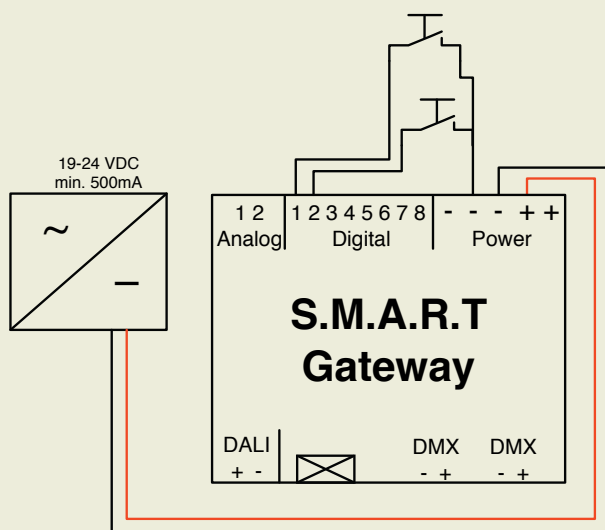
Connection examples



Example DALI connection



Example DMX connection



Example pushbutton connection

